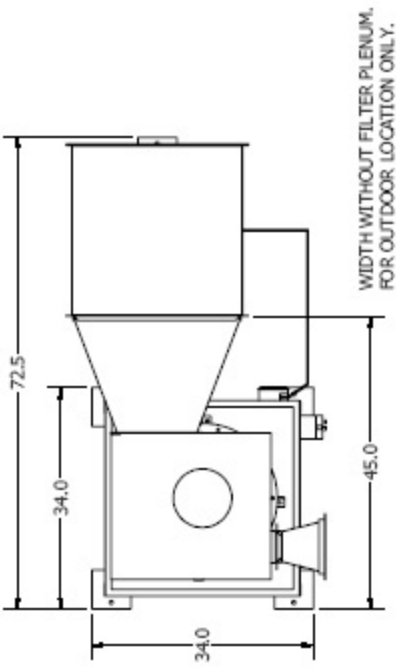
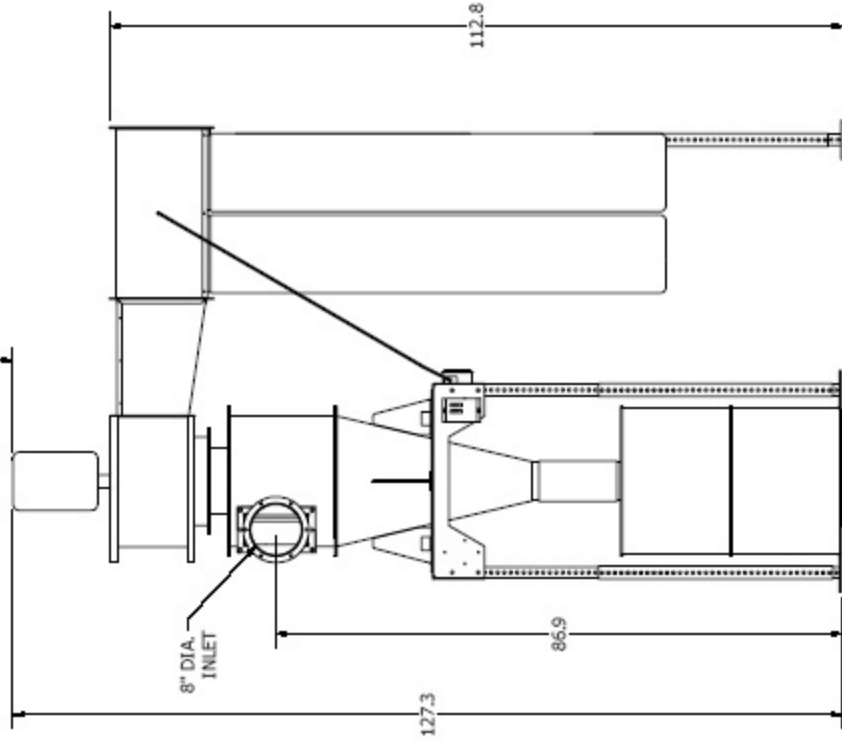


STANDARD CYCLONE LAYOUTS - SHEET 1

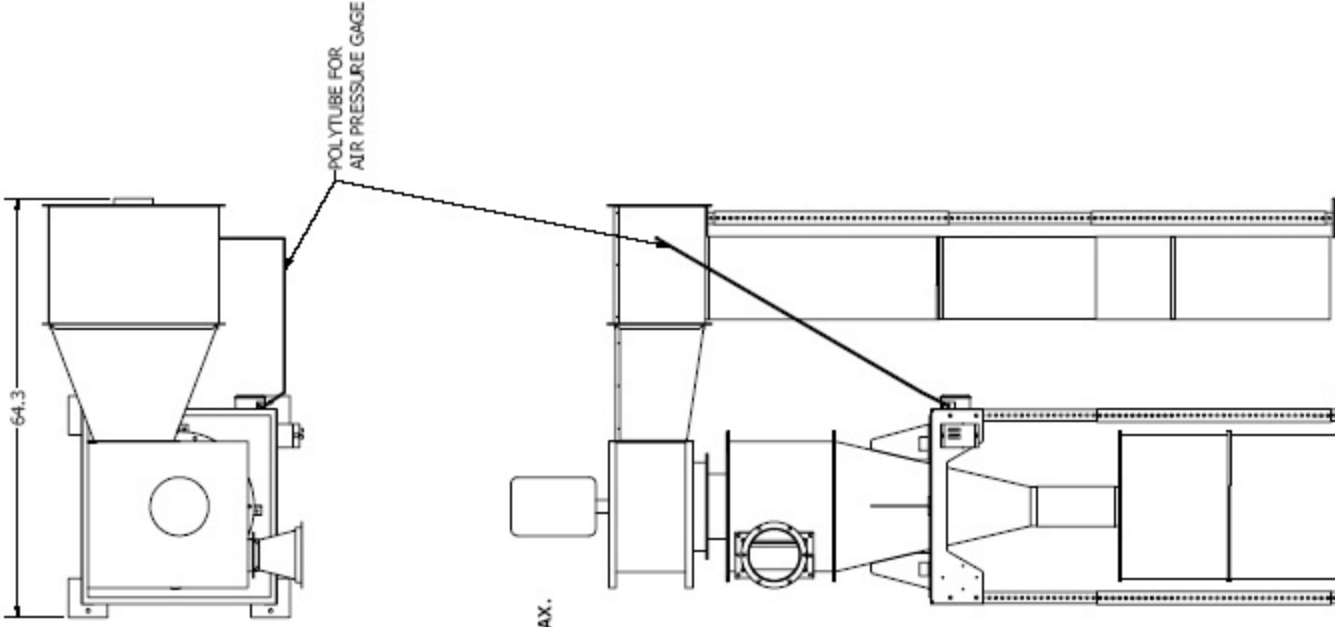


WIDTH WITHOUT FILTER PLENUM.
FOR OUTDOOR LOCATION ONLY.

CEILING
12" MIN. CLEARANCE
RECOMMENDED



ALL HEIGHTS ARE SHOWN AS MAX.
LEGS ADJUST UP TO 6" LOWER
WITH DRUM PROVIDED



DETAIL - FOOT
(typical)

SDC-20X5-BF

SDC-20X5-CF
(all dimensions same as BF version, except as shown)

manufactured by:
STANDARD TOOLS & EQUIPMENT CO.
4810 CLOVER RD
GREENSBORO, NC 27405
9-MARCH-2007